

ProVent Series – RIL-150SW

Location

Project

Designation

Notes



Features

The ProVent Series is a low cost ducted in-line fan that is designed specifically for exhaust and supply applications. They can be also be used as part of a room to room hot and cold air transfer systems. Available in 100,125,150 and 200mm. 150 and 200mm also available with run-on timer.

Features

- Standard models include built-in 240V plug and lead which helps make installation easier
- 150mm and 200mm standard models include convenient 2-speed switch
- Timer models includes 1 to 30 minute run-on timer
- High performance Mixed-Flow Impeller
- Integrated foot makes fan mounting easier
- Fan body can be easily removed easily without disturbing connected ductwork

Typical Applications

Toilets, ensuite, bathrooms, washrooms and laundries

Construction

Casings are made of reinforced injection moulded polypropylene plastic. Impellers are of injection moulded plastic and of mixed-flow design.

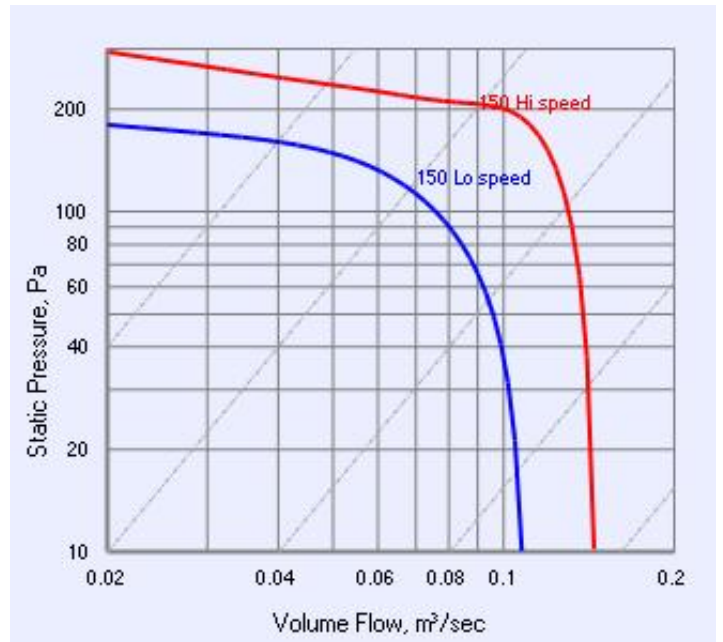
Motors

Type - RIL-100 and RIL-125: 2-speed, shaded pole.
 RIL-150SW and RIL-200SW: 2-speed, squirrel cage induction.
 RIL-150T and RIL-200T: Single-speed, squirrel cage induction.
 Electricity supply - 220-240V, single-phase, 50Hz.
 Bearings - sleeve for models RIL-100 and RIL-125, and ball for all other models.
 Speed-controllable using VA type speed controller in high speed only. Not applicable to models with run-on timer.

Internal Thermal Protection

By fuse for models RIL-100 and RIL-125 and for all other models manual-reset thermal overload protection device in accordance with mandatory requirement for in-duct fans AS/NZS60335-2-80:2004

Testing



Technical Data - RIL-150SW

Setting	Speed [rps]	Avg. dBA @ 3m	kWatts (Input)	Amps	Max. °C	Approx. Weight [kg]
Lo	31	39	0.045	0.19	60	2.7
Hi	42	47	0.05	0.22	60	2.7

Sound Data

Setting	Type	63	125	250	500	1K	2K	4K	8K
Hi	Inlet		56	64	65	62	61	53	46
Lo	Inlet		48	56	57	54	53	45	38

Air flow to ISO5801:1997, Noise to BS848:Part 2, 1985

Special Note

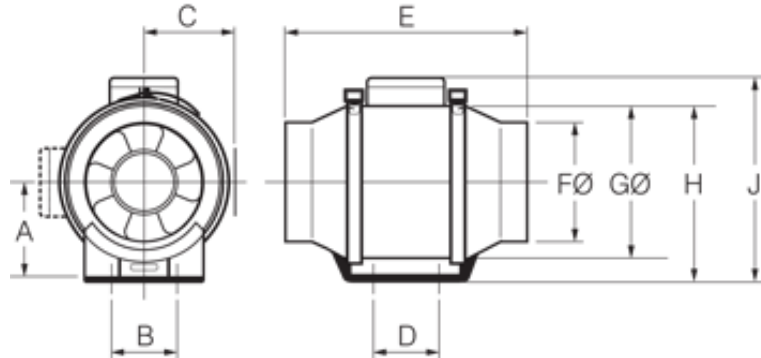
Avoid the use of spring-loaded backdraft dampers, extensive lengths of duct and air valves with the RIL-100 and RIL-125 models. Please note that timer models don't include plug and lead, and are not speed controllable.

ProVent Series – RIL-150SW

Suggested Specification

The In-line fans shall be of the ProVent Series as supplied by Fantech Pty. Ltd.
 Impellers shall be of mixed-flow design and driven by single-phase motors with integral thermal protection. They shall include an integrated mounting foot and fast release clamps.
 All fans shall be fully tested to BS848:Part 1, 1980 for air flow and BS848:Part 2, 1985 for noise.

Dimensions



A	B	C	D	E	F	G	H	J
112	60	100	80	295	147	200	225	236
112	60	100	80	295	147	200	225	236

Contacts



OFFICES & AGENTS

Victoria

Fantech Pty. Ltd.
 Tel:+61 (03) 9554-7845
Idealair Group Pty. Ltd.
 Tel:+61 (03) 9696-3044

New South Wales

Fantech Pty. Ltd.
 Tel:+61 (02) 8811-0400

Uniair Distributors Pty. Ltd.

Tel:+61 (02) 4961-6088
Refrigeration and Air Supplies
 Tel:+61 (02) 4226-5133
Airovent
 Tel:+61 (02) 9153-6005
Idealair Group Pty. Ltd.
 Tel:+61 (02) 9698-8130
Fantech Pty. Ltd.
 Tel:+61 (02) 6025-1866

South Australia

Fantech Pty. Ltd.
 Tel:+61 (08) 8294-0530

Queensland

Air Design Pty. Ltd.
 Tel:+61 (07) 3299-9888

Capricorn Air Conditioning

Tel:+61 (07) 4775-5222

Northern Territory

Fantech Pty. Ltd.
 Tel:+61 (08) 8947-0447

Western Australia

Systemaire Pty. Ltd.
 Tel:+61 (08) 9209-4999

Tasmania

Major Air Pty. Ltd.
 Tel:+61 (03) 6344-6888
Hobart
 Tel:+61 (03) 62736455

ACT

Idealair Group Pty. Ltd.
 Tel:+61 (02) 6280-5511

Auckland

Fantech (NZ) Ltd.
 Tel:+64 (09) 444-6266

Christchurch

Fantech (NZ) Ltd.
 Tel:+64 (03) 379-8622

Wellington

Fantech (NZ) Ltd.
 Tel:+64 (04) 566-0532